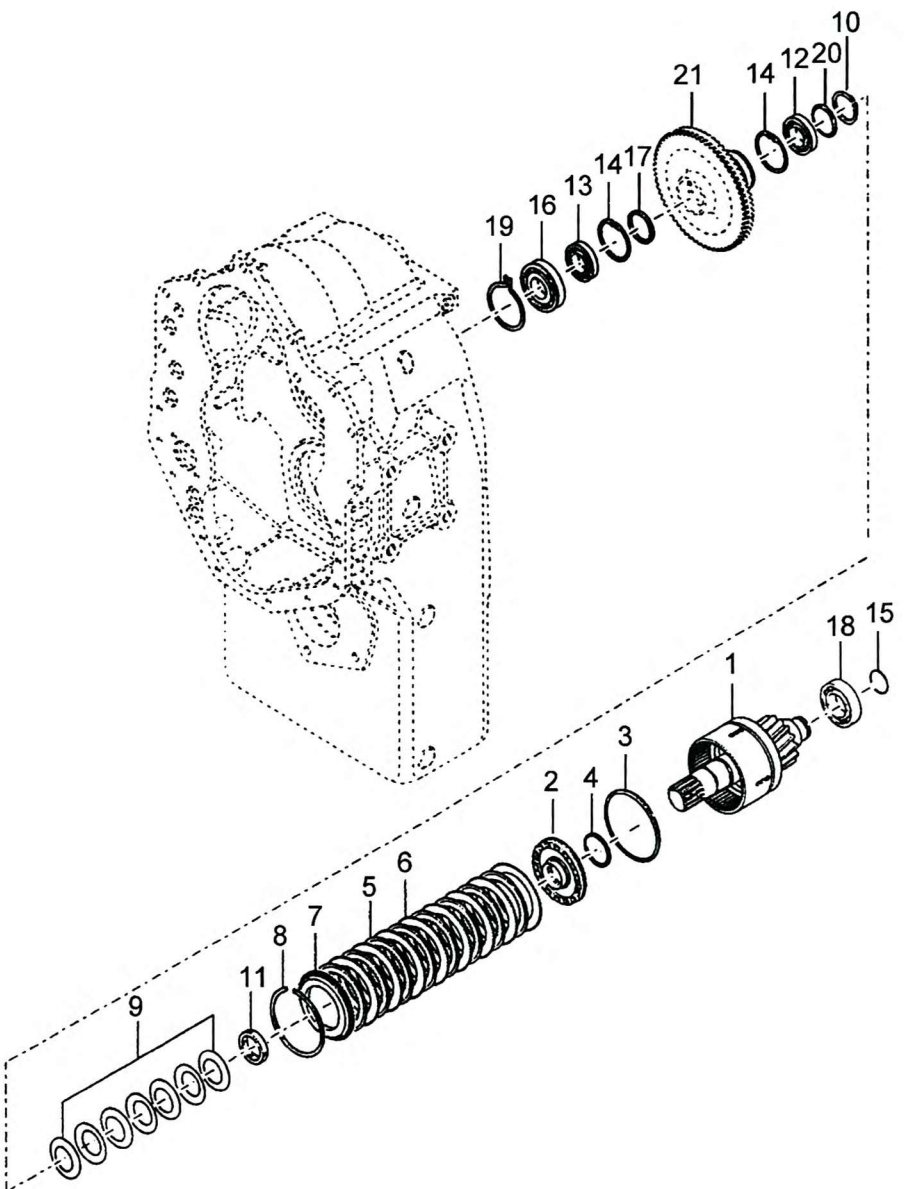


*Manitowoc Crane Group*



9904110620

(SHEET 1 OF 1)

Page 386